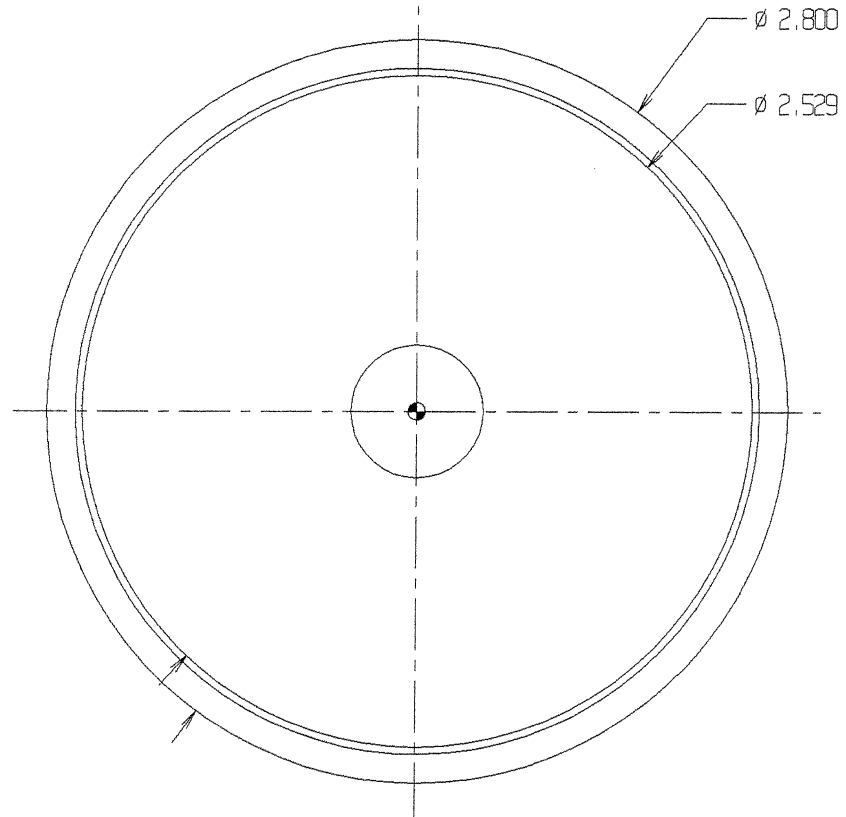
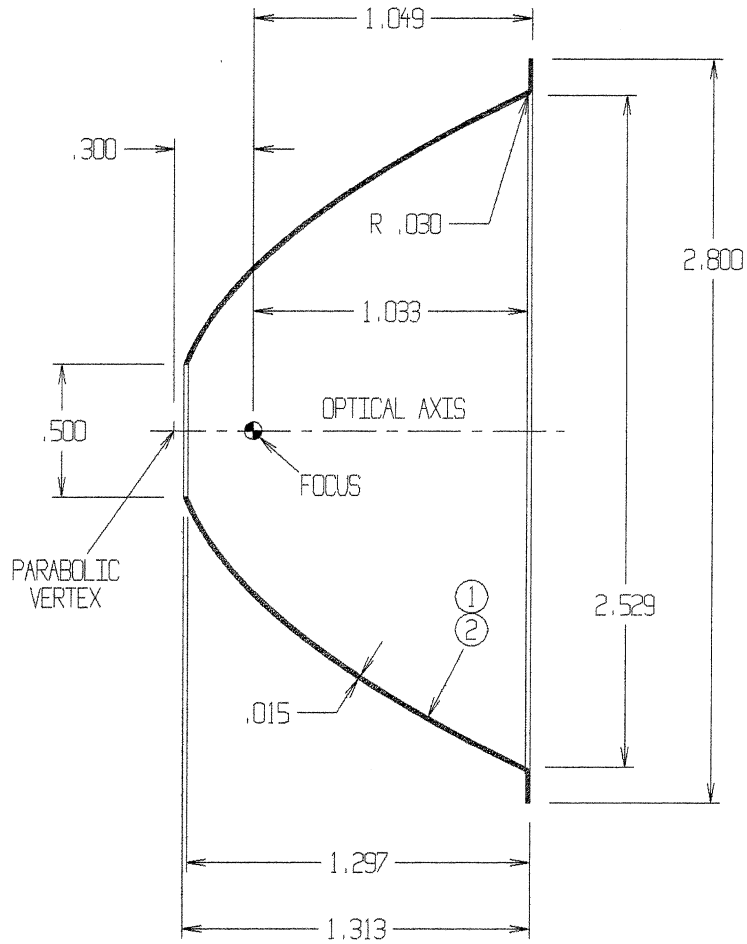


ALL CONCEPTS CONTAINED WITHIN THIS DRAWING ARE PROPRIETARY TO PHOENIX ELECTROFORMED PRODUCTS, INC.  
AND MAY NOT BE CONVEYED TO THIRD PARTIES WITHOUT WRITTEN CONSENT

REVISIONS				
ZONE	REV	DESCRIPTION	DATE	APPROVED



SURFACE FINISH 80-50 SCRATCH-DIG PER MIL-D-13830A  
AVAILABLE REFLECTIVE ENHANCEMENT COATINGS:  
AU ELECTRO-DEPOSITED GOLD  
AF VACUUM DEPOSITED ALUMINUM / MAGNESIUM FLUORIDE (MgF<sub>2</sub>) OVERCOAT  
AO VACUUM DEPOSITED ALUMINUM / QUARTZ (SiO<sub>2</sub>) OVERCOAT  
RH ELECTRO-DEPOSITED BRIGHT RHODIUM

PARABOLIC EQUATION  
 $Y^2 = 4FX$        $F = .300$

.01	.500	2.529	2.800	1.313	1.297	.015	1.033
#	V	CA	OD	H	h	T	F-CA

<small>UNLESS OTHERWISE SPECIFIED DIMENSIONS ARE IN INCHES FRACTIONS DECIMALS INCHES 1/16 XX 1/32 1/64 1/8 1/4 3/8 1/2 3/4 1 1 1/2 2 3 4</small>	MATERIAL ELECTROFORMED NICKEL		<b>PHOENIX</b> ELECTROFORMED PRODUCTS, INC.			
	CONTRACT NO.				TITLE PARABOLIC REFLECTOR PA16	
FINISH E3 ✓ UNLESS OTHERWISE SPECIFIED	APPROVALS DRAWN LB	DATE 5-12-15	SIZE 	CAGE CODE 	DWG NO PA16	REV 
DID NOT SCALE DRAWING	DESIGN ACTIVITY	SCALE 	SHEET			